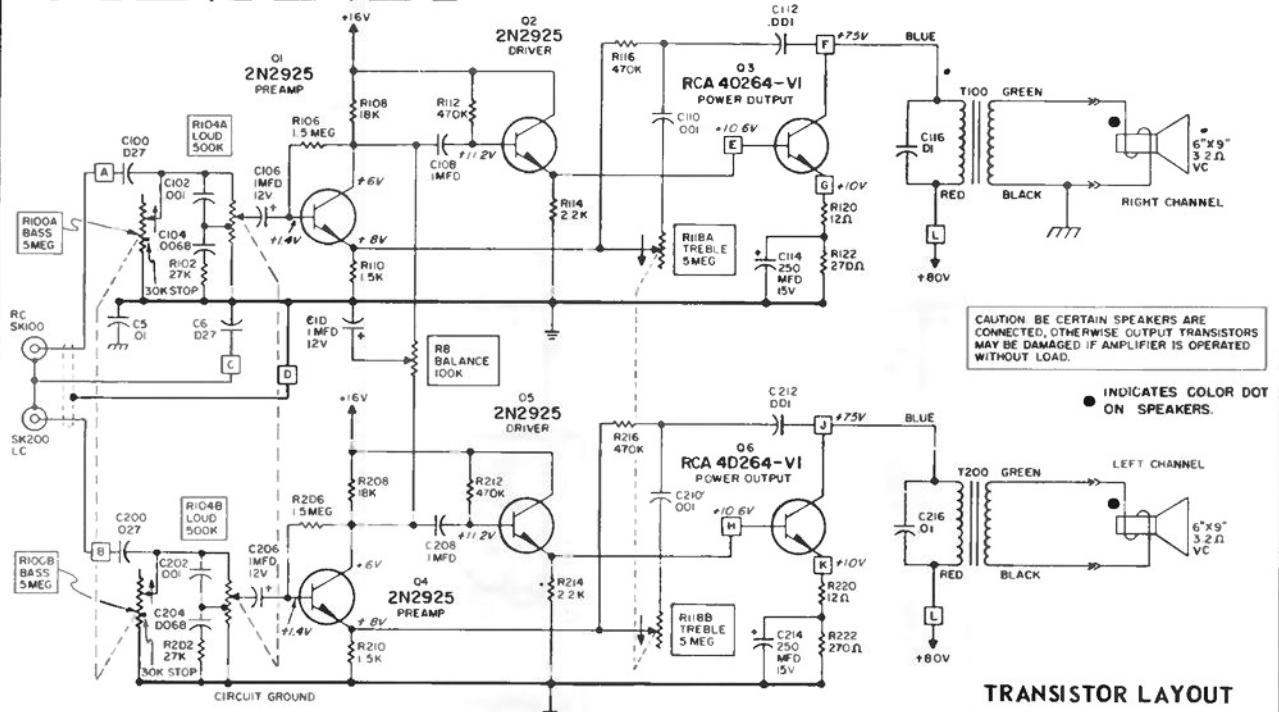


# SYLVANIA

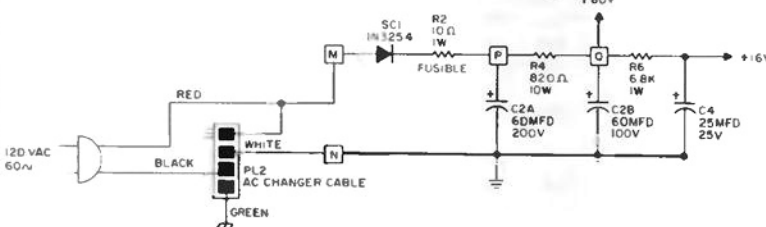
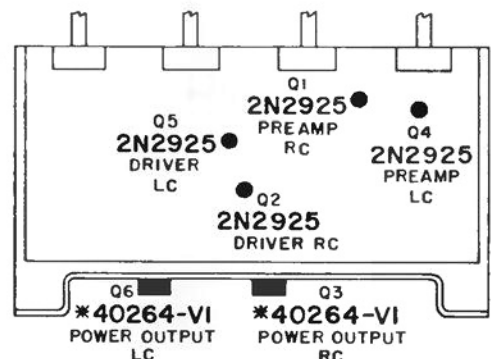
MODEL: 45P84  
CHASSIS: P03-5



CAUTION: BE CERTAIN SPEAKERS ARE CONNECTED, OTHERWISE OUTPUT TRANSISTORS MAY BE DAMAGED IF AMPLIFIER IS OPERATED WITHOUT LOAD.

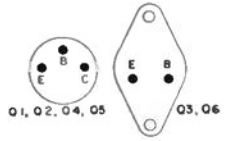
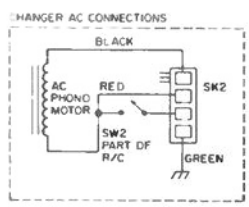
● INDICATES COLOR DOT ON SPEAKERS.

## TRANSISTOR LAYOUT



NOTE:  
1 ALL RESISTORS 1/2W 10% UNLESS OTHERWISE SPECIFIED  
2 ALL CAPACITORS IN MFD UNLESS OTHERWISE SPECIFIED  
3 ALL DC VOLTAGES MEASURED WITH A DC VVM

**NOTE:**  
Voltage measurements are average readings to circuit ground with no signal input. Variations may be noted due to normal production tolerances.



## BOTTOM VIEW (COPPER FOIL SIDE)

